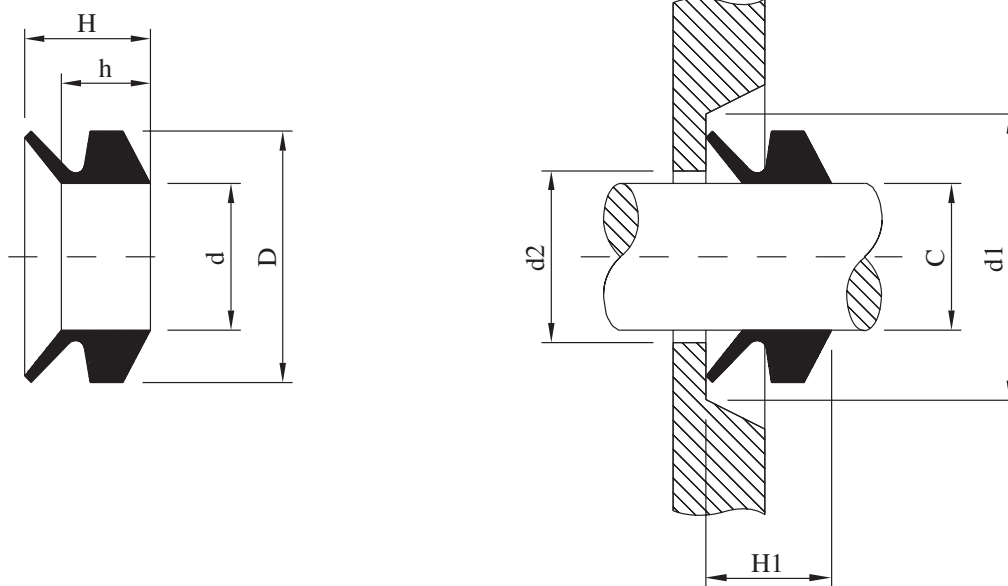


Reference	Shaft C	d	D	h	H	d2	d1	H1
VA 3	2.7 - 3.5	2.5	5.5	2.1	3	C + 1	C + 4	2.5 ± 0.3
VA 4	3.5 - 4.5	3.2	7.2	2.4	3.7	C + 1	C + 6	3 ± 0.4
VA 5	4.5 - 5.5	4	8	2.4	3.7	C + 1	C + 6	3 ± 0.4
VA 6	5.5 - 6.5	5	9	2.4	3.7	C + 1	C + 6	3 ± 0.4
VA 7	6.5 - 8	6	10	2.4	3.7	C + 1	C + 6	3 ± 0.4
VA 8	8 - 9.5	7	11	2.4	3.7	C + 1	C + 6	3 ± 0.4
VA 10	9.5 - 11.5	9	15	3.4	5.5	C + 2	C + 9	4.5 ± 0.6
VA 12	11.5 - 13.5	10.5	16.5	3.4	5.5	C + 2	C + 9	4.5 ± 0.6
VA 14	13.5 - 15.5	12.5	18.5	3.4	5.5	C + 2	C + 9	4.5 ± 0.6
VA 16	15.5 - 17.5	14	20	3.4	5.5	C + 2	C + 9	4.5 ± 0.6
VA 18	17.5 - 19	16	22	3.4	5.5	C + 2	C + 9	4.5 ± 0.6
VA 20	19 - 21	18	26	4.7	7.5	C + 2	C + 12	6 ± 0.8
VA 22	21 - 24	20	28	4.7	7.5	C + 2	C + 12	6 ± 0.8
VA 25	24 - 27	22	30	4.7	7.5	C + 2	C + 12	6 ± 0.8
VA 28	27 - 29	25	33	4.7	7.5	C + 3	C + 12	6 ± 0.8
VA 30	29 - 31	27	35	4.7	7.5	C + 3	C + 12	6 ± 0.8
VA 32	31 - 33	29	37	4.7	7.5	C + 3	C + 12	6 ± 0.8
VA 35	33 - 36	31	39	4.7	7.5	C + 3	C + 12	6 ± 0.8
VA 38	36 - 38	34	42	4.7	7.5	C + 3	C + 12	6 ± 0.8
VA 40	38 - 43	36	46	5.5	9	C + 3	C + 15	7 ± 1
VA 45	43 - 48	40	50	5.5	9	C + 3	C + 15	7 ± 1
VA 50	48 - 53	45	55	5.5	9	C + 3	C + 15	7 ± 1
VA 55	53 - 58	49	59	5.5	9	C + 3	C + 15	7 ± 1
VA 60	58 - 63	54	64	5.5	9	C + 3	C + 15	7 ± 1
VA 65	63 - 68	58	68	5.5	9	C + 3	C + 15	7 ± 1
VA 70	68 - 73	63	75	6.8	11	C + 4	C + 18	9 ± 1.2
VA 75	73 - 78	67	79	6.8	11	C + 4	C + 18	9 ± 1.2
VA 80	78 - 83	72	84	6.8	11	C + 4	C + 18	9 ± 1.2
VA 85	83 - 88	76	88	6.8	11	C + 4	C + 18	9 ± 1.2
VA 90	88 - 93	81	93	6.8	11	C + 4	C + 18	9 ± 1.2
VA 95	93 - 98	85	97	6.8	11	C + 4	C + 18	9 ± 1.2
VA100	98 - 105	90	102	6.8	11	C + 4	C + 18	9 ± 1.2
VA110	105 - 115	99	113	7.9	12.8	C + 4	C + 21	10.5 ± 1.5
VA120	115 - 125	108	122	7.9	12.8	C + 4	C + 21	10.5 ± 1.5
VA130	125 - 135	117	131	7.9	12.8	C + 4	C + 21	10.5 ± 1.5

# Tobar

## Seal Type VA

Reference	Shaft C	d	D	h	H	d2	d1	H1
VA 140	135 - 145	126	140	7.9	12.8	C + 4	C +21	10.5± 1.5
VA 150	145 - 155	135	149	7.9	12.8	C + 4	C +21	10.5± 1.5
VA 160	155 - 165	144	160	9	14.5	C + 5	C +24	12 ± 1.8
VA 170	165 - 175	153	169	9	14.5	C + 5	C +24	12 ± 1.8
VA 180	175 - 185	162	178	9	14.5	C + 5	C +24	12 ± 1.8
VA 190	185 - 195	171	187	9	14.5	C + 5	C +24	12 ± 1.8
VA 199	195 - 210	180	196	9	14.5	C + 5	C +24	12 ± 1.8
VA 200	190 - 210	180	210	14.3	25	C +10	C +45	20 ± 4
VA 220	210 - 235	198	228	14.3	25	C +10	C +45	20 ± 4
VA 250	235 - 265	225	255	14.3	25	C +10	C +45	20 ± 4
VA 275	265 - 290	247	277	14.3	25	C +10	C +45	20 ± 4
VA 300	290 - 310	270	300	14.3	25	C +10	C +45	20 ± 4
VA 325	310 - 335	292	322	14.3	25	C +10	C +45	20 ± 4
VA 350	335 - 365	315	345	14.3	25	C +10	C +45	20 ± 4
VA 375	365 - 390	337	367	14.3	25	C +10	C +45	20 ± 4
VA 400	390 - 430	360	390	14.3	25	C +10	C +45	20 ± 4
VA 450	430 - 480	405	435	14.3	25	C +10	C +45	20 ± 4
VA 500	480 - 530	450	480	14.3	25	C +10	C +45	20 ± 4
VA 550	530 - 580	495	525	14.3	25	C +10	C +45	20 ± 4
VA 600	580 - 630	540	570	14.3	25	C +10	C +45	20 ± 4
VA 650	630 - 665	600	630	14.3	25	C +10	C +45	20 ± 4
VA 700	665 - 705	630	660	14.3	25	C +10	C +45	20 ± 4
VA 725	705 - 745	670	700	14.3	25	C +10	C +45	20 ± 4
VA 750	745 - 785	705	735	14.3	25	C +10	C +45	20 ± 4
VA 800	785 - 830	745	775	14.3	25	C +10	C +45	20 ± 4
VA 850	830 - 875	785	815	14.3	25	C +10	C +45	20 ± 4
VA 900	875 - 920	825	855	14.3	25	C +10	C +45	20 ± 4
VA 950	920 - 965	865	895	14.3	25	C +10	C +45	20 ± 4
VA 1000	965 - 1015	910	940	14.3	25	C +10	C +45	20 ± 4
VA 1050	1015 - 1065	955	985	14.3	25	C +10	C +45	20 ± 4
VA 1100	1065 - 1115	1000	1030	14.3	25	C +10	C +45	20 ± 4
VA 1150	1115 - 1165	1045	1075	14.3	25	C +10	C +45	20 ± 4
VA 1200	1165 - 1215	1090	1120	14.3	25	C +10	C +45	20 ± 4
VA 1250	1215 - 1270	1135	1165	14.3	25	C +10	C +45	20 ± 4
VA 1300	1270 - 1320	1180	1210	14.3	25	C +10	C +45	20 ± 4
VA 1350	1320 - 1370	1225	1255	14.3	25	C +10	C +45	20 ± 4
VA 1400	1370 - 1420	1270	1300	14.3	25	C +10	C +45	20 ± 4
VA 1450	1420 - 1470	1315	1345	14.3	25	C +10	C +45	20 ± 4
VA 1500	1470 - 1520	1360	1390	14.3	25	C +10	C +45	20 ± 4
VA 1550	1520 - 1570	1405	1435	14.3	25	C +10	C +45	20 ± 4
VA 1600	1570 - 1620	1450	1480	14.3	25	C +10	C +45	20 ± 4
VA 1650	1620 - 1670	1495	1525	14.3	25	C +10	C +45	20 ± 4
VA 1700	1670 - 1720	1540	1570	14.3	25	C +10	C +45	20 ± 4
VA 1750	1720 - 1770	1585	1615	14.3	25	C +10	C +45	20 ± 4
VA 1800	1770 - 1820	1630	1660	14.3	25	C +10	C +45	20 ± 4
VA 1850	1820 - 1870	1675	1705	14.3	25	C +10	C +45	20 ± 4
VA 1900	1870 - 1920	1720	1750	14.3	25	C +10	C +45	20 ± 4
VA 1950	1920 - 1970	1765	1795	14.3	25	C +10	C +45	20 ± 4
VA 2000	1970 - 2020	1810	1840	14.3	25	C +10	C +45	20 ± 4

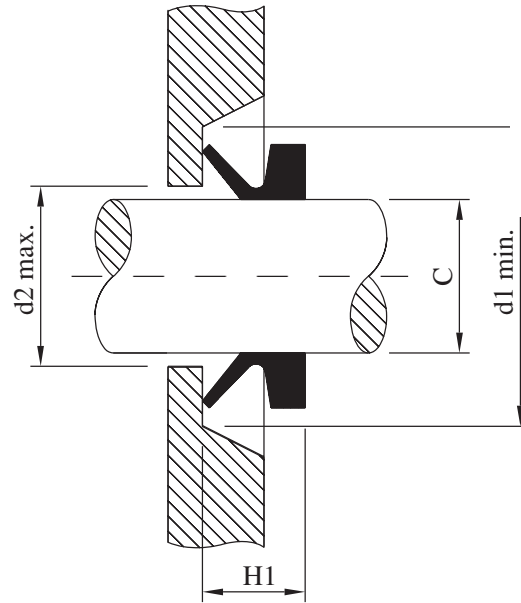
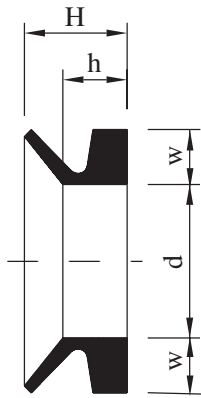


Reference	Shaft C	d	D	h	H	d2	d1	H1
VS 5	4.5 - 5.5	4	8	3.9	5.2	C + 1	C + 6	4.5 ± 0.4
VS 6	5.5 - 6.5	5	9	3.9	5.2	C + 1	C + 6	4.5 ± 0.4
VS 7	6.5 - 8	6	10	3.9	5.2	C + 1	C + 6	4.5 ± 0.4
VS 8	8 - 9.5	7	11	3.9	5.2	C + 1	C + 6	4.5 ± 0.4
VS 10	9.5 - 11.5	9	15	5.6	7.7	C + 2	C + 9	6.7 ± 0.6
VS 12	11.5 - 13.5	10.5	16.5	5.6	7.7	C + 2	C + 9	6.7 ± 0.6
VS 14	13.5 - 15.5	12.5	18.5	5.6	7.7	C + 2	C + 9	6.7 ± 0.6
VS 16	15.5 - 17.5	14	20	5.6	7.7	C + 2	C + 9	6.7 ± 0.6
VS 18	17.5 - 19	16	22	5.6	7.7	C + 2	C + 9	6.7 ± 0.6
VS 20	19 - 21	18	26	7.9	10.5	C + 2	C + 12	9 ± 0.8
VS 22	21 - 24	20	28	7.9	10.5	C + 2	C + 12	9 ± 0.8
VS 25	24 - 27	22	30	7.9	10.5	C + 2	C + 12	9 ± 0.8
VS 28	27 - 29	25	33	7.9	10.5	C + 3	C + 12	9 ± 0.8
VS 30	29 - 31	27	35	7.9	10.5	C + 3	C + 12	9 ± 0.8
VS 32	31 - 33	29	37	7.9	10.5	C + 3	C + 12	9 ± 0.8
VS 35	33 - 36	31	39	7.9	10.5	C + 3	C + 12	9 ± 0.8
VS 38	36 - 38	34	42	7.9	10.5	C + 3	C + 12	9 ± 0.8
VS 40	38 - 43	36	46	9.5	13	C + 3	C + 15	11 ± 1
VS 45	43 - 48	40	50	9.5	13	C + 3	C + 15	11 ± 1
VS 50	48 - 53	45	55	9.5	13	C + 3	C + 15	11 ± 1
VS 55	53 - 58	49	59	9.5	13	C + 3	C + 15	11 ± 1
VS 60	58 - 63	54	64	9.5	13	C + 3	C + 15	11 ± 1
VS 65	63 - 68	58	68	9.5	13	C + 3	C + 15	11 ± 1
VS 70	68 - 73	63	75	11.3	15.5	C + 4	C + 18	13.5 ± 1.2
VS 75	73 - 78	67	79	11.3	15.5	C + 4	C + 18	13.5 ± 1.2
VS 80	78 - 83	72	84	11.3	15.5	C + 4	C + 18	13.5 ± 1.2
VS 85	83 - 88	76	88	11.3	15.5	C + 4	C + 18	13.5 ± 1.2
VS 90	88 - 93	81	93	11.3	15.5	C + 4	C + 18	13.5 ± 1.2
VS 95	93 - 98	85	97	11.3	15.5	C + 4	C + 18	13.5 ± 1.2
VS 100	98 - 105	90	102	11.3	15.5	C + 4	C + 18	13.5 ± 1.2
VS 110	105 - 115	99	113	13.1	18	C + 4	C + 21	15.5 ± 1.5
VS 120	115 - 125	108	122	13.1	18	C + 4	C + 21	15.5 ± 1.5
VS 130	125 - 135	117	131	13.1	18	C + 4	C + 21	15.5 ± 1.5
VS 140	135 - 145	126	140	13.1	18	C + 4	C + 21	15.5 ± 1.5
VS 150	145 - 155	135	149	13.1	18	C + 4	C + 21	15.5 ± 1.5

Reference	Shaft C	d	w	h	H	d2	d1	H1
VS 160	155 - 165	144	160	15	20.5	C + 5	C + 24	18 ± 1.8
VS 170	165 - 175	153	169	15	20.5	C + 5	C + 24	18 ± 1.8
VS 180	175 - 185	162	178	15	20.5	C + 5	C + 24	18 ± 1.8
VS 190	185 - 195	171	187	15	20.5	C + 5	C + 24	18 ± 1.8
VS 199	195 - 210	180	196	15	20.5	C + 5	C + 24	18 ± 1.8

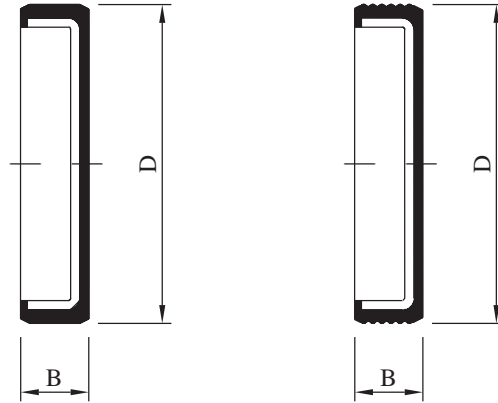
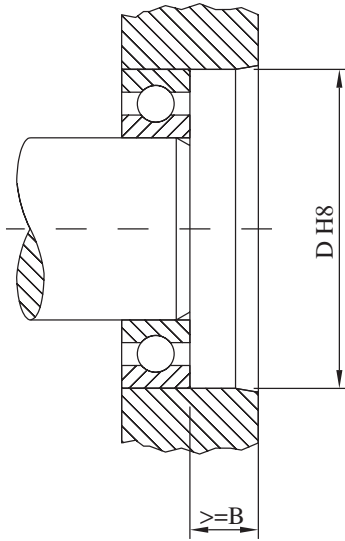
# Tobar

Seal Type VL



Additional Standard Rotary Seal Designs

Reference	Shaft C	d	w	h	H	d2	d1	H1
VL 140	135 - 145	126	6.5	6	10.5	C + 5	C + 20	8 ± 1.5
VL 150	145 - 155	135	6.5	6	10.5	C + 5	C + 20	8 ± 1.5
VL 160	155 - 165	144	6.5	6	10.5	C + 5	C + 20	8 ± 1.5
VL 170	165 - 175	153	6.5	6	10.5	C + 5	C + 20	8 ± 1.5
VL 180	175 - 185	162	6.5	6	10.5	C + 5	C + 20	8 ± 1.5
VL 190	185 - 195	171	6.5	6	10.5	C + 5	C + 20	8 ± 1.5
VL 200	195 - 210	182	6.5	6	10.5	C + 5	C + 20	8 ± 1.5
VL 220	210 - 233	198	6.5	6	10.5	C + 5	C + 20	8 ± 1.5
VL 250	233 - 260	225	6.5	6	10.5	C + 5	C + 20	8 ± 1.5
VL 275	260 - 285	247	6.5	6	10.5	C + 5	C + 20	8 ± 1.5
VL 300	285 - 310	270	6.5	6	10.5	C + 5	C + 20	8 ± 1.5
VL 325	310 - 335	292	6.5	6	10.5	C + 5	C + 20	8 ± 1.5
VL 350	335 - 365	315	6.5	6	10.5	C + 5	C + 20	8 ± 1.5
VL 375	365 - 385	337	6.5	6	10.5	C + 5	C + 20	8 ± 1.5
VL 400	385 - 410	360	6.5	6	10.5	C + 5	C + 20	8 ± 1.5
VL 425	410 - 440	382	6.5	6	10.5	C + 5	C + 20	8 ± 1.5
VL 450	440 - 475	405	6.5	6	10.5	C + 5	C + 20	8 ± 1.5

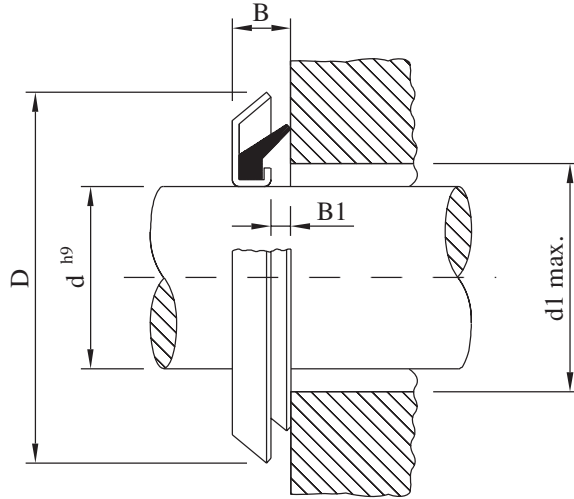
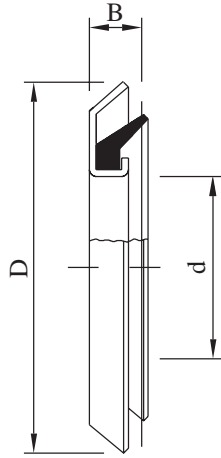


TYPE	D	B
EC	12	5
EC	12.78	2.54
EC	13	4.5
ECW	19	6
EC	19	7
EC	20	4
EC	22	4
EC	22	5
EC	22	7
EC	24	7
EC	25	5
EC	25	6
EC	25	7
EC	25.35	6.4
EC	26	6.5
EC	28	4
EC	28	7
EC	30	4
EC	30	5
EC	30	6
EC	30	8
EC	31.75	4.8
EC	32	5
EC	32	7
EC	32	8
EC	32	9.5
EC	34	8
EC	34	18
EC	35	3.5
EC	35	5
EC	35	6.5
EC	35	7
ECW	35	8
EC	35	8
EC	36	6
EC	37	5

TYPE	D	B
EC	37	7
EC	37	10
EC	38	10
ECW	38.05	7.9
EC	38.1	4.8
EC	38.1	6.4
EC	39.69	6.4
EC	40	2.5
EC	40	5
EC	40	7
EC	40	7
EC	40	7
EC	40	8
ECW	41.23	7.9
EC	42	7
EC	42	8
EC	42	9.5
ECW	44.5	7.9
EC	45	5
EC	45.29	6.4
EC	45.97	6.4
EC	47	5
EC	47	6.5
EC	47	7
EC	47	8
EC	47	8
ECW	47	8.5
EC	47	10
EC	47.02	4.7
EC	47.02	6.4
EC	50	7
EC	50	9
EC	50	16
ECW	50.34	7.9
EC	50.8	6.4
EC	50.8	7.9
EC	52	6

TYPE	D	B
EC	52	7
EC	52	8
EC	52	6.5
ECW	52.39	8.5
ECW	52	9
EC	52	10
EC	52	10
EC	55	7
EC	55	10
EC	56	10
ECW	57.15	7.9
EC	58.74	7.9
EC	58.75	7.9
EC	60	7
EC	60	16
ECW	60.27	7.9
EC	62	4.3
EC	62	6.4
EC	62	7
EC	62	8
ECW	62	8
ECW	62	8.9
EC	62	9.5
EC	63.5	7.9
EC	63.55	6.4
EC	65	8
EC	65	10
EC	66.62	7.9
EC	68	8
EC	70	7.9
EC	70	10
EC	70	16
ECW	72	8.5
EC	72	9
EC	72	9
ECW	72	9.8
EC	72	10
EC	75	7
ECW	80	6.4
EC	80	10
ECW	80	12
EC	80	12
EC	80	16
EC	82.65	6.4
EC	83	7
EC	85	10
ECW	85	10.7
EC	85	12
EC	85	20
EC	87	12
EC	88.9	9.5
EC	90	7
EC	90	10
ECW	90	11.5
EC	90	12

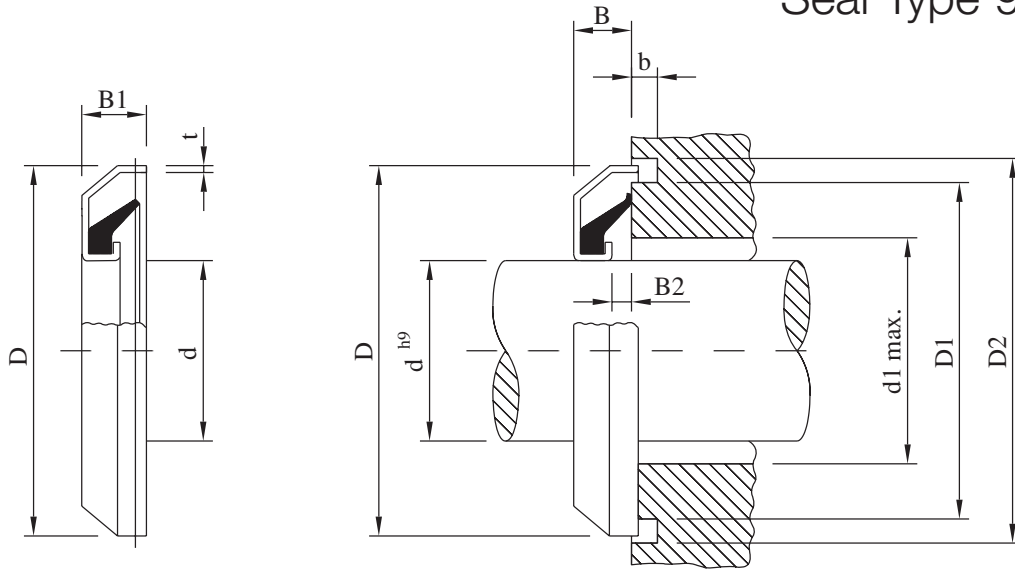
TYPE	D	B
ECW	95	10
EC	95	10
EC	100	10
ECW	100	11.3
EC	100	12
EC	100	25
EC	100	31
EC	110	10
EC	110	12
EC	110	21
EC	120	12
EC	120	27
EC	120	33
EC	125	12
EC	130	12
EC	130	27
EC	140	15
EC	140	37
EC	145	15
EC	150	15
EC	150	27
EC	160	15
EC	165	12
EC	167	15
EC	170	15
EC	170	43
EC	180	12
EC	180	15
EC	180	30
EC	185	15
EC	190	12
EC	210	15
EC	210	27
EC	225	14
EC	230	14
EC	235	15
EC	240	15
EC	260	15
EC	270	15
EC	290	15



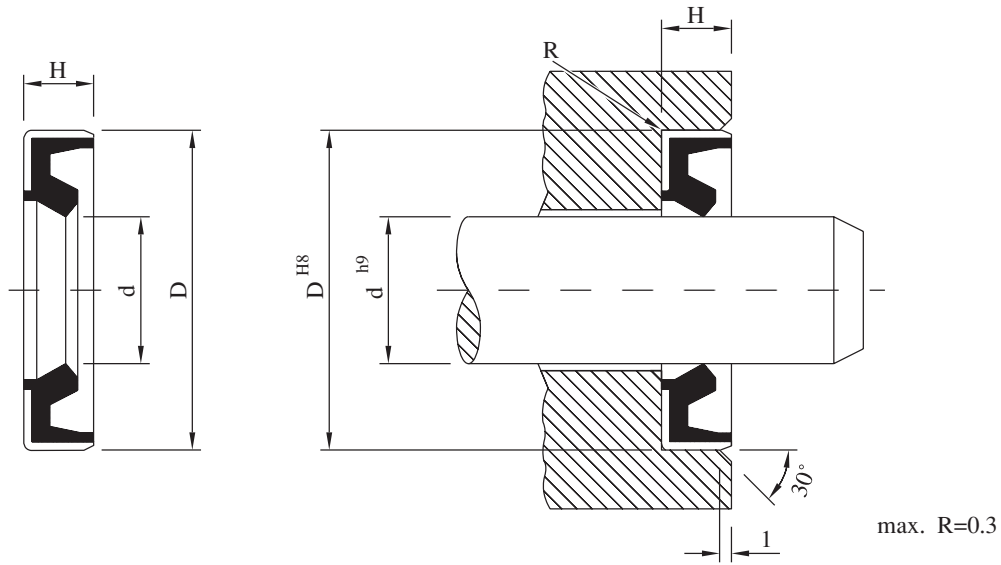
d	D	B	B1	d1
10	24	3.5	1	15
11	26	3.5	1	17
12	26	3.5	1	17
14	30	4	1	21
15	30	4	1	21
16	32	4	1	23
17	32	4	1	23
18	33	4	1	24
20	35	4	1	26
22	40	4	1	31
24	40	4	1	31
25	40	4	1	31
26	40	4	1	31
28	43	4	1	34
30	47	4.5	1	37
32	49	4.5	1	39
35	52	4.5	1	42
38	55	4.5	1	45
40	57	4.5	1	47
41	57	4.5	1	48
42	59	4.5	1	49
45	62	4.5	1	52
48	65	4.5	1	55
50	70	5.5	1	58
52	72	5.5	1	60
54	76	5.5	1	62
55	75	5.5	1	63
58	78	5.5	1	66
60	80	5.5	1	68
62	82	5.5	1	70
65	85	5.5	1	73
68	88	5.5	1	76
70	90	5.5	1	78
72	92	5.5	1	80
75	95	5.5	1	83

d	D	B	B1	d1
75	96	5.5	1	83
78	98	5.5	1	86
80	100	5.5	1	88
85	105	5.5	1	93
90	110	5.5	1	98
95	115	5.5	1	103
100	120	5.5	1	108
105	125	5.5	1	113
135	159	6.5	1	145
225	250	7.5	1	235





d	D	B	B1	B2	b	d1	D1	D2	t
15	32	4	6	1	3	21	29	34	0.5
17	34	4	6	1	3	23	31	36	0.5
20	37	4	6	1	3	26	34	39	0.5
25	42	4	6	1	3	31	39	44	0.5
26	43	4	6	1	3	32	40	45	0.5
30	48	4.5	6.5	1	3	37	45	50	0.5
32	53	6.5	8.5	1	3	39	50	55	0.5
33.34	53.1	6.6	8.6	1	3	40.3	50	55	0.5
35	53	4.5	6.5	1	3	42	50	55	0.5
40	58	4.5	6.5	1	3	47	55	60	0.5
41.28	57.9	6.6	8.6	1	3	48.3	55	60	0.5
44.45	63	6.6	8.6	1	3	51.5	60	65	0.5
44.45	74	6.6	8.6	1	3	51.5	71.2	76.2	0.5
45	63	4.5	6.5	1	3	52	60	65	0.5
50	72	5.5	7.5	1	3	58	68.5	74	0.75
55	77	5.5	7.5	1	3	63	73.5	79	0.75
60	82	5.5	7.5	1	3	68	78.5	84	0.75
65	87	5.5	7.5	1	3	73	83.5	89	0.75
70	92	5.5	7.5	1	3	78	88.5	94	0.75
75	97	5.5	7.5	1	3	83	93.5	99	0.75
80	102	5.5	7.5	1	3	88	98.5	104	0.75
85	107	5.5	7.5	1	3	93	103.5	109	0.75
90	112	5.5	7.5	1	3	98	108.5	114	0.75
95	117	5.5	7.5	1	3	103	113.5	119	0.75
100	122	5.5	7.5	1	3	108	118.5	124	0.75
110	132.08	5.5	7.5	1	3	118	128.5	134	0.75



TYPE	d	D	H	d	D	H
WPB	0250	0437	125	1/4	7/16	1/8
WPB	0312	0566	125	5/16		1/8
WPB	0312	0625	156	5/16	5/8	5/32
WPB	0375	0562	094	3/8	9/16	3/32
WPB	0375	0625	125	3/8	5/8	1/8
WPB	0375	0687	157	3/8	11/16	5/32
WPB	0469	0836	187	15/32		3/16
WPB	0500	0750	125	1/2	3/4	1/8
WPB	0562	0812	125	9/16	13/16	1/8
WPB	0625	0875	125	5/8	7/8	1/8
WPB	0625	1062	250	5/8	1 1/16	1/4
WPB	0625	1250	250	5/8	1 1/4	1/4
WPB	0687	0937	125	11/16	15/16	1/8
WPB	0687	0999	187	11/16	1	3/16
WPB	0750	1000	125	3/4	1	1/8
WPB	0750	1125	187	3/4	1 1/8	3/16
WPB	0750	1250	250	3/4	1 1/4	1/4
WPB	20	28	4			
WPB	0875	1125	125	7/8	1 1/8	1/8
WPB	0875	1125	125	7/8	1 1/8	1/8
WPB	0875	1250	187	7/8	1 1/4	3/16
WPB	23	28	3			
WPB	0937	1187	125	15/16	1 3/16	1/8
WPB	24.8	42	4.8			
WPB	1000	1250	125	1	1 1/4	1/8
WPB	1000	1375	187	1	1 3/8	3/16
WPB	1000	1500	187	1	1 1/2	3/16
WPB	1000	1500	312	1	1 1/2	5/16
WPB	1000	1625	250	1	1 5/8	1/4
WPB	1061	1312	125	1 1/16	1 5/16	1/8
WPB	1062	1500	187	1 1/16	1 1/2	3/16
WPB	1062	1500	187	1 1/16	1 1/2	3/16
WPB	1125	1375	125	1 1/8	1 3/8	1/8
WPB	1125	1500	187	1 1/8	1 1/2	3/16
WPB	1125	1561	250	1 1/8		1/4

TYPE	d	D	H	d	D	H
WPB	1125	1625	187	1 1/8	1 5/8	3/16
WPB	1125	1625	250	1 1/8	1 5/8	1/4
WPB	1187	1562	187	1 3/16	1 9/16	3/16
WPB	1250	1500	125	1 1/4	1 1/2	1/8
WPB	1250	1625	250	1 1/4	1 5/8	1/4
WPB	1250	1687	187	1 1/4	1 11/16	3/16
WPB	1250	1687	187	1 1/4	1 11/16	3/16
WPB	1250	1690	187	1 1/4		3/16
WPB	1250	1752	250	1 1/4		1/4
WPB	1312	1562	125	1 5/16	1 9/16	1/8
WPB	1375	1625	125	1 3/8	1 5/8	1/8
WPB	1375	1750	187	1 3/8	1 3/4	3/16
WPB	1375	1875	250	1 3/8	1 7/8	1/4
WPB	1375	2000	312	1 3/8	2	5/16
WPB	1488	2442	186			3/16
WPB	1500	1750	375	1 1/2	1 3/4	3/8
WPB	1500	1875	187	1 1/2	1 7/8	3/16
WPB	1500	1875	250	1 1/2	1 7/8	1/4
WPB	1500	2000	250	1 1/2	2	1/4
WPB	1500	2000	250	1 1/2	2	1/4
WPB	1500	2000	312	1 1/2	2	5/16
WPB	1500	2437	250	1 1/2	2 7/16	1/4
WPB	1562	2062	203	1 9/16	2 1/16	13/64
WPB	1625	2000	187	1 5/8	2	3/16
WPB	1625	2125	250	1 5/8	2 1/8	1/4
WPB	1750	2125	187	1 3/4	2 1/8	3/16
WPB	1750	2250	187	1 3/4	2 1/4	3/16
WPB	1750	2250	250	1 3/4	2 1/4	1/4
WPB	1750	2250	312	1 3/4	2 1/4	5/16
WPB	1750	2375	250	1 3/4	2 3/8	1/4
WPB	1750	2437	375	1 3/4	2 7/16	3/8
WPB	1750	2623	250	1 3/4		1/4
WPB	1875	2250	187	1 7/8	2 1/4	3/16
WPB	1875	2500	250	1 7/8	2 1/2	1/4
WPB	2000	2375	187	2	2 3/8	3/16
WPB	2000	2500	250	2	2 1/2	1/4
WPB	2000	2623	250	2		1/4
WPB	2000	2625	250	2	2 5/8	1/4
WPB	2000	2625	250	2	2 5/8	1/4
WPB	2000	2686	250	2		1/4
WPB	2125	2500	187	2 1/8	2 1/2	3/16
WPB	2250	2625	187	2 1/4	2 5/8	3/16
WPB	2250	2625	250	2 1/4	2 5/8	1/4
WPB	2250	2750	250	2 1/4	2 3/4	1/4
WPB	2375	2875	250	2 3/8	2 7/8	1/4
WPB	2500	3000	250	2 1/2	3	1/4
WPB	2625	3125	250	2 5/8	3 1/8	1/4
WPB	2750	3125	187	2 3/4	3 1/8	3/16
WPB	2750	3250	250	2 3/4	3 1/4	1/4
WPB	2875	3371	250	2 7/8		1/4
WPB	3000	3500	250	3	3 1/2	1/4
WPB	3250	3750	250	3 1/4	3 3/4	1/4
WPB	3500	3875	187	3 1/2	3 7/8	3/16
WPB	3500	4003	250	3 1/2		1/4